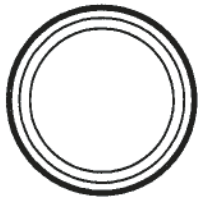
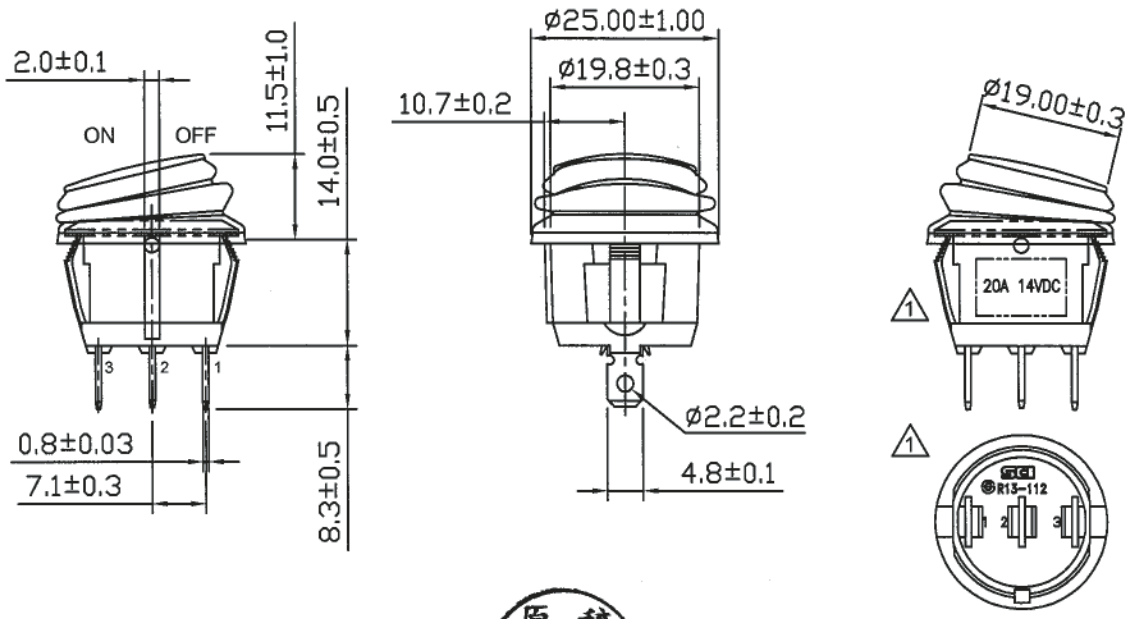
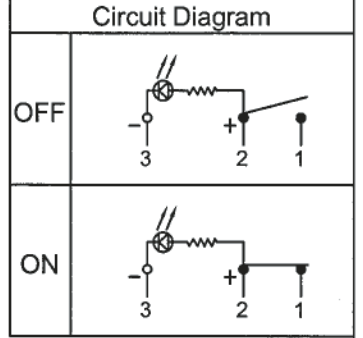


Rating	20A 14VDC	<div style="display: flex; justify-content: space-around;"> <div style="text-align: center;"> <p>Thickness: 1.5~2.5</p> </div> <div style="text-align: center;"> <p>Thickness: 0.7~2.5</p> </div> </div>
Contact Resistance	50m ohm Max.	
Insulation Resistance	DC 500V 100M ohm Min.	
Dielectric Strength	AC 1500V 1 minute	
Operation Temperature	-25°C ~ 85°C	
Switch Function	3P SPST ON-OFF (LED dependent)	



***MATERIAL:**
 Frame: Nylon 66, Black
 Actuator: PC, Green clear
 Waterproof rubber: Silicone
 Terminals: Silver plated, Copper alloy
 Hot Stamping: None
 Waterproof: IP65
 LED color: Green



原稿
2016.8.19
研發部

08/04/16	曹盈芳	依公司規定追加SCI Logo, 本體Rating改為20A 14VDC			△	
Date	Name	Description			NO	
Drawn	Checked	Approved	SCI BOM NO.	1823904	Model Name	ROCKER SWITCH
曹盈芳		王伯山	Customer No.		Model No.	R13-112B8-02
08/04/16		8/4/16	Unit	mm	Shin Chin Industrial Co., Ltd.	
						Rev. 1