

### U S B P C B R I G H T A N G L E S O C K E T



#### USBA-G-x

**Contact Plating:**

- none - Selective Gold
- T - Tin
- G - Gold Flash
- D - Gold 30 U"

**Contact Type:**

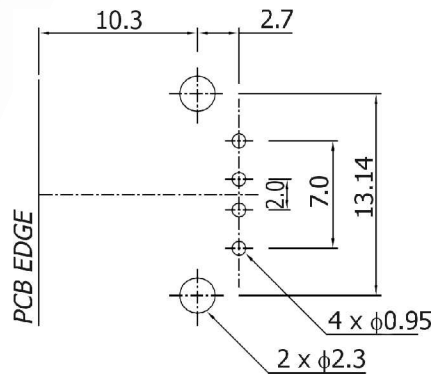
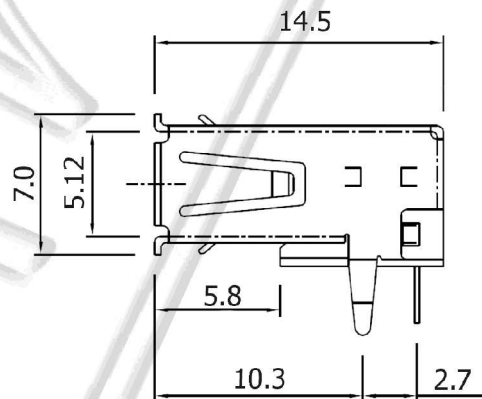
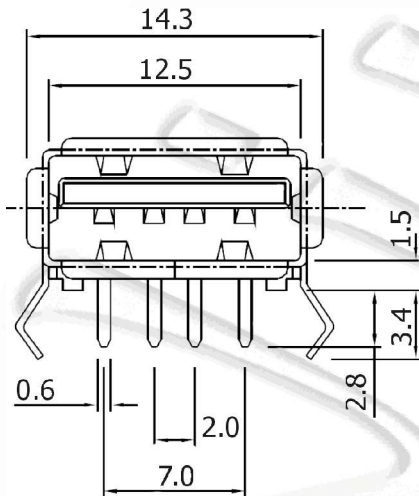
- G - Male
- F - Female

**Function:**

- A - A Type
- B - B Type

**USB PCB Right Angle Socket**

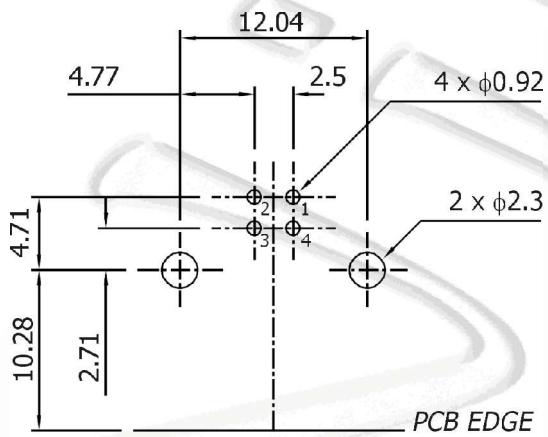
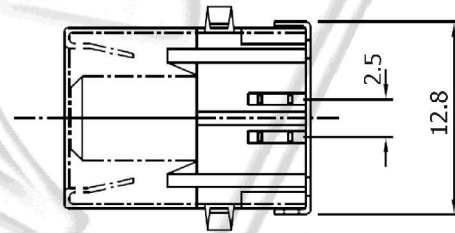
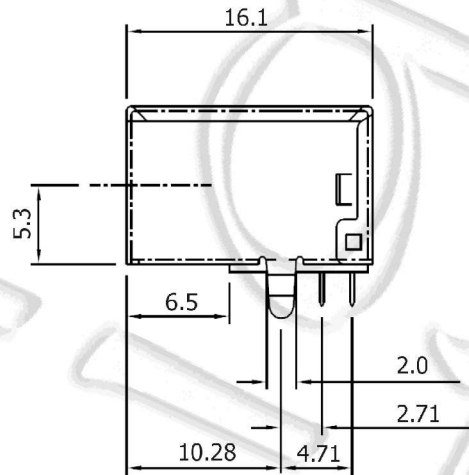
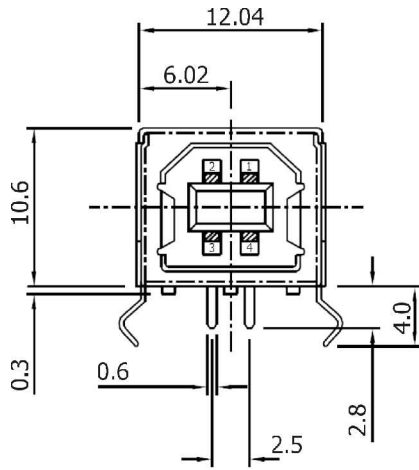
#### USBA



PCB Layout (bottom view)

# Ninigi

## USBB



PCB Layout (bottom view)