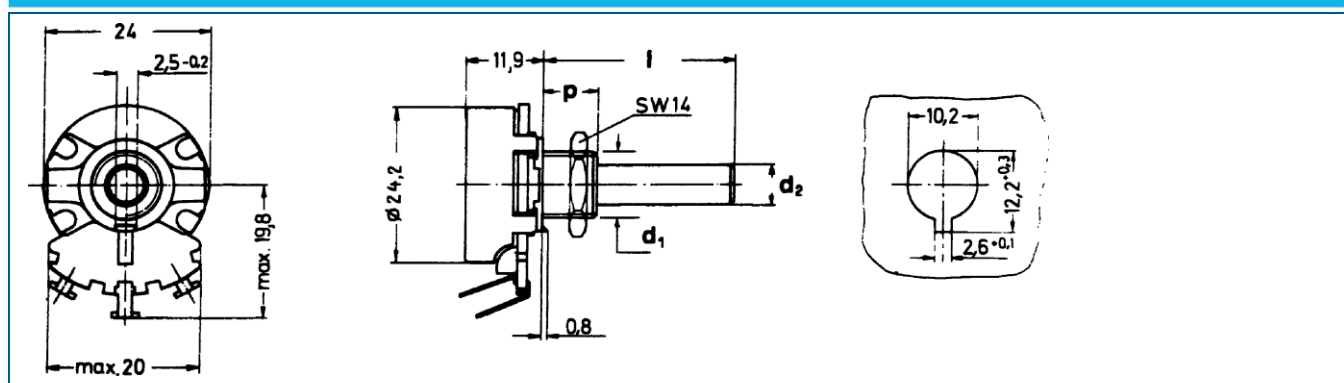
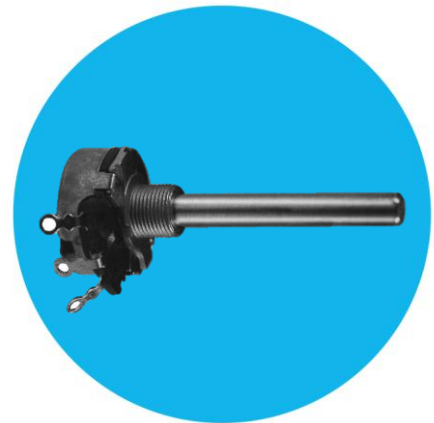


Series AW

Type AW

Ordering code no.: 31 046 .....

Basic design: encased, nominal width 24 mm, solder tag terminals



### Technical data

Rated resistance range	5 Ω - 25 kΩ	Temperature range	-40 °C to +90 °C
Resistance tolerance	± 10 % (< 10 Ω ± 20 %) on request ± 5 % , ± 2 %	Temperature coefficient	See table
Law (resistance taper)	lin	Electrical travel	280° ± 5°
Independent linearity	± 2 %	Mechanical travel	300° ± 10°
Rated dissipation	4 W / 40 °C	Operating torque	0.7 - 3.6 Ncm
Limiting element voltage	500 V	End stop torque	115 Ncm
Isolation voltage	1 kV~	Durability	10 000 cycles

### Spindles

Metal, plastic moulded on request  
(see table)

l (mm)	p (mm)	d <sub>2</sub> (mm)	d <sub>1</sub>
standard 50	8 or 12	6	M10 x 0,75

### Temperature coefficient and resolution

RN	10Ω	25Ω	50Ω	100Ω	250Ω	500Ω	1 kΩ	2,5 kΩ	5 kΩ	10 kΩ	25 kΩ
TC-value ppm / °C	+ 400	+ 400	+ 40 - 80	+ 40 - 80	+ 40 - 80	+ 140	± 20	± 20	± 20	± 20	± 20
Resolution %	0,75	0,75	0,7	0,5	0,35	0,35	0,3	0,3	0,2	0,15	0,13

### General Note

TT Electronics reserves the right to make changes in product specifications without notice or liability.  
All information is subject to TT Electronics' own data and is considered accurate at time of going to print.