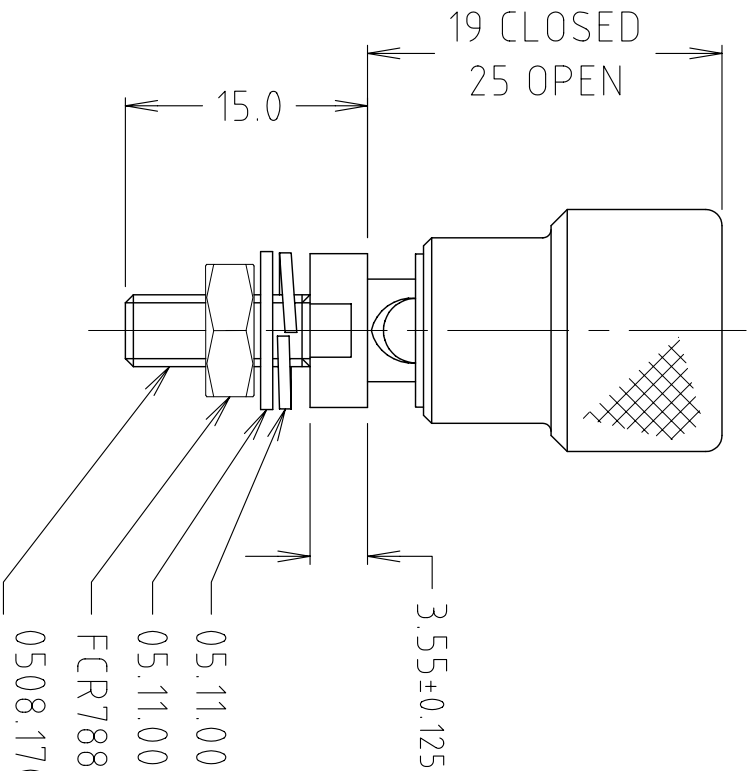


RED OR BLACK COLOURED INSERT.
 Ø6.80 STANDARD OR Ø3.60 'Y' TYPE
 CENTRE HOLE SEE TABLE



05.11.0006.87 - SPRING WASHER
 05.11.0002.53 - PLAIN WASHER
 FCR7880SA7 - NUT
 0508.1701.52 - SPINDLE ASSEMBLY
 10x32 UNF THREAD

VARIANTS			
PART NUMBER	USES INSERT	INSERT COLOUR	INSERT HOLE TYPE
CL2160B	FCR7916B	BLACK	Ø6.80 STANDARD
CL2160R	FCR7916R	RED	Ø6.80 STANDARD
CL2160BY	FCR7915B	BLACK	Ø3.60 Y TYPE
CL2160RY	FCR7915R	RED	Ø3.60 Y TYPE

SUPPLIED UNASSEMBLED AS A KIT OF PARTS
 ALL ITEMS 1 PER KIT.

Cliff Electronic Components Ltd.

76 Holmehorpe Avenue, Holmehorpe Industrial Estate,
 Redhill, Surrey, RH1 2PF, England, UK
 Tel: 01737-771375 Fax: 01737-766012 Website: www.cliffuk.co.uk
 THE CONTENTS OF THIS DOCUMENT MUST NOT BE COPIED OR DISCLOSED
 TO A 3rd PARTY WITHOUT WRITTEN PERMISSION OF CLIFF UK © 1999

DIMENSIONS IN MILLIMETERS UNLESS OTHERWISE STATED. WORK TO DIMENSIONS. REMOVE ALL BURRS. IF IN DOUBT ASK
 MATERIAL: BRASS / NYLON 6
 FINISH: GOLD FLASH / SPARKED TO 32 VDI
 DRAWN: C.A.M.J. APPROVED: R.W.T.

TITLE: HI FI TERMINAL TP/6CS
 DRWG. No. CL2160
 FORM: ADDRWH

1ST DRAWN : 4/2/99

DO NOT SCALE



TOLERANCE
 NO DEC. PLACE ±0.50
 1 DEC. PLACE ±0.20
 2 DEC. PLACE ±0.10
 HOLE Ø ±0.10
 ANGLES ± 1/2°
 UNLESS OTHERWISE STATED

ISS.	AMEND	DATE
1	ISSUED	15/03/99
2	WAS CL2160B	18/02/05
3	UPDATED	16/11/12