

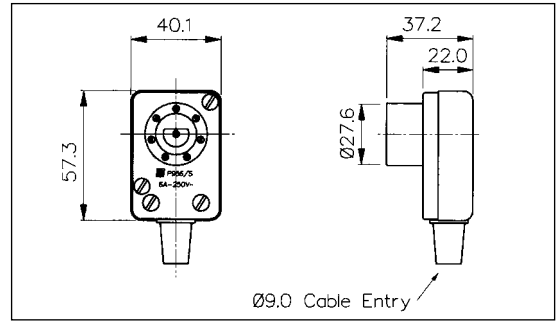
Flex Mount and Panel Mount Sockets

FLEX MOUNT FEMALE CIRCULAR CONNECTOR



PX0956/S

- 8 Poles
- Mates with PX0551, PX0959/P and PX0959/P/PC
- Screw/Solder Terminals
- 6A, 250V a.c. (per Pin)

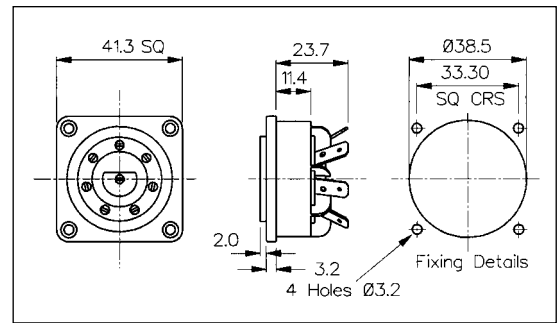


PANEL MOUNT FEMALE CIRCULAR OUTLET



PX0957/S

- 8 Poles
- Mates with PX0551, PX0959/P and PX0959/P/PC
- 4.8mm Tabs/Solder
- 6A, 250V a.c. (per Pin)



Specification	PX0956/S	PX0957/S
Terminations:	Screw/Solder Terminals	4.8 Tab/Solder Tag
Max. Rating:	6A, 250V a.c.	6A, 250V a.c.
Contact Resistance:	<10mΩ	<10mΩ
Insulation Resistance:	>10 ⁸ MΩ @ 500V d.c.	>10 ⁸ MΩ @ 500V d.c.
A.C. Breakdown:	Pole-Pole 5.5kV Poles-Exterior Parts 5kV	Pole-Pole 5.5kV Poles-Exterior Parts/Panel 6.4kV
Operating Temp. Range:	-20°C to +70°C	-20°C to +70°C
Mouldings:	Glass Filled Nylon (black)	Glass Filled Nylon (black)
Flammability Rating:	UL94 HB	UL94 HB
Contacts:	Brass, Tin Plated	Brass, Tin Plated
Mates With:	PX0551, PX0959/P, PX0959/P/PC	PX0551, PX0959/P, PX0959/P/PC
RoHS	Compliant	Compliant