

SPECIFICATION:

MATERIAL:

Hood: Plastic

HANDLING:

Packing: Bag

TOLERANCE:

.X ± 0.38
.XX ± 0.25

RoHS
COMPLIANT



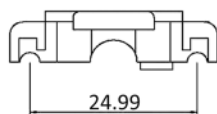
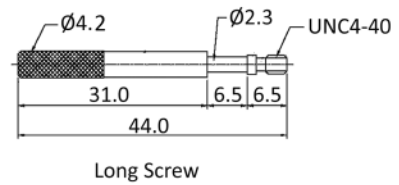
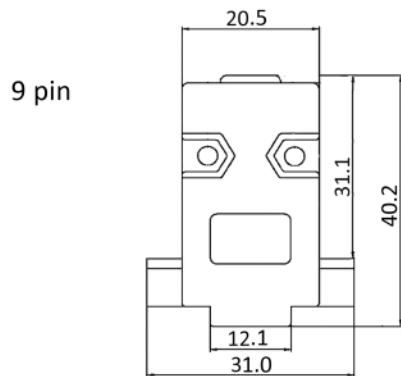
PH15LM



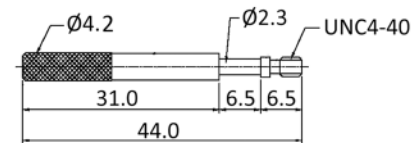
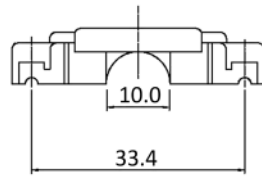
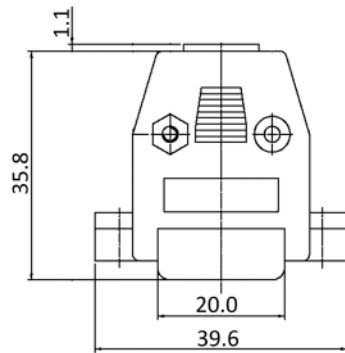
PH9LM



PH25LM

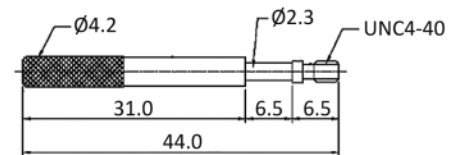
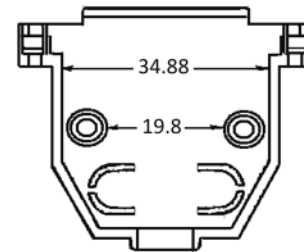
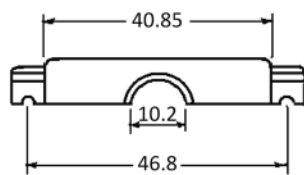
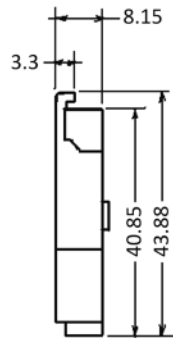
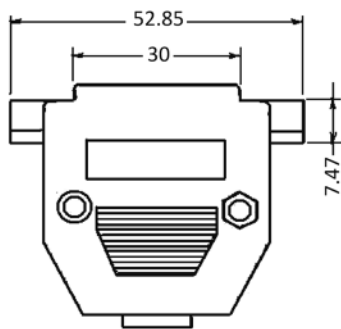


15 pin



Long Screw

25 pin



Long Screw

Order-Information

Identifier:	No. of contacts:	Version:	Colour:
PH	#	L	M
Hood with screw locking	9: 9 pin 15: 15 pin 25: 25 pin	L: long thumb screws	M: chromate plated metalized